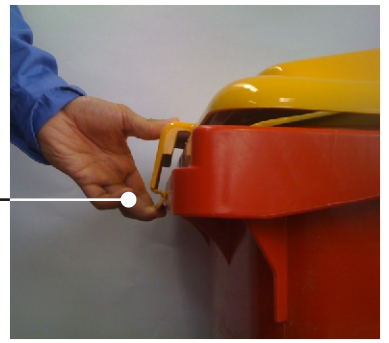


Coca-Cola Recycling Bins

Entry point for bottles & beverage packaging



The closure tab minimises lid lifting and disposal of non-recyclables.



To open the lid, flex the front tab away from the front lip of the bin.

The Bin Liner Holder discreetly holds the bin liner.



To ensure that the bin liner isn't visible once the lid is closed, lift the collar and fold the liner over and around the collar so that the opening of the liner goes back into the bin.

Close the lid by ensuring that the front tab snaps securely over the front lip of the bin.



Dimensions:

120 Litres		240 Litres	
A-	1011mm	A-	1152mm
B-	870mm	B-	990mm
C-	480mm	C-	585mm
D-	470mm	D-	565mm
E-	555mm	E-	740mm

Materials:

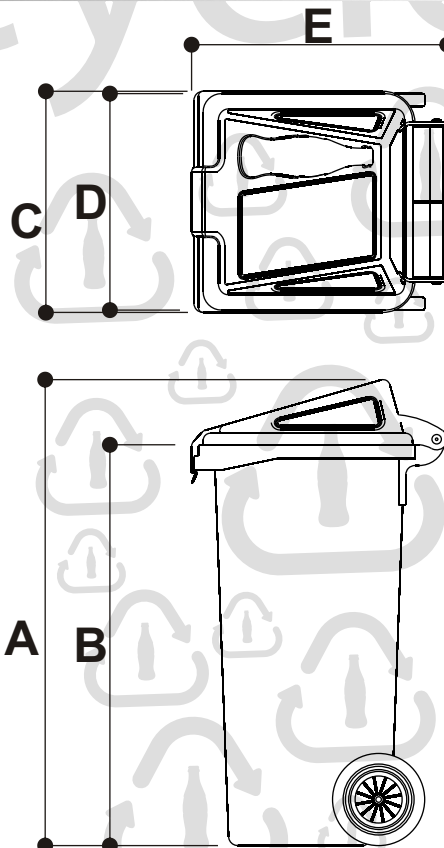
Lid - Yellow HDPE
Bin - Red HDPE
Collar - Steel wire

Approximate weight of full bin with recyclables:

120L = 3 - 5kg
240L = 6 - 10kg

Note:

Bins come fully assembled.
Bin liners not included



Bin Lid

Bin Liner Holder

Bin

Bin Decal

